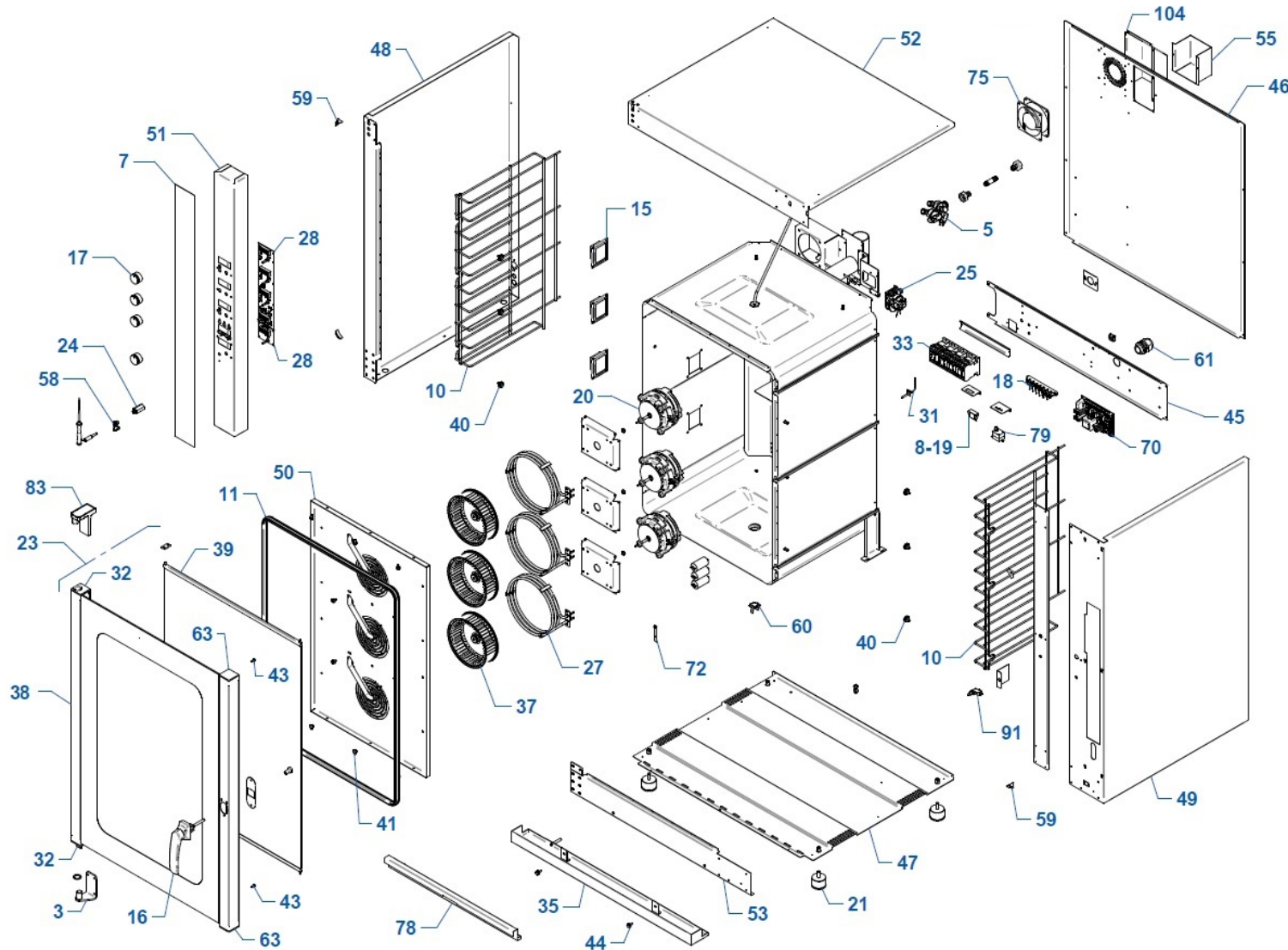


# PF9010D

- DIGITAL COMBI STEAM OVEN 10 TRAYS 600X400 - GN 1/1

(print on 16/06/2016)



N	ITEM	N	ITEM
3	CER30020	55	CPR00001
5	ELE30006	58	TAP30008
7	FRO30316	59	TAP30013
8	FUS30001	60	TAP30019
10	GRI30084	61	PPC30001
10	GRI30085	63	TAP30011
11	GUA30015	70	FWE00016
15	LAM00001	72	SCH30006
16	MAG30045	75	MOT30035
17	MAN30015	78	VAS30003
18	MOR30004	79	TER30013
19	PFU30001	83	CER30004
20	MOT30036	91	PUL30006
21	PIE30008	104	CPR00075
23	POR02058		
24	PRE00001		
25	PRG30013		
27	RES30009		
28	SCH30003		
28	SCH30004		
31	SON30002		
32	TAP30010		
32	TAP30012		
33	TEL30010		
35	VAS30008		
37	VEN30005		
38	VET02058		
39	VET00012		
40	VIT30001		
41	VIT30042		
42	TAP30027		
43	VIT30059		
44	VIT30060		
45	SCN00001		
46	SCN00079		
47	FON30096		
48	FIA30049		
49	FIA30050		
50	DEF30091		
51	CRU60197		
52	FAC30028		
53	FAC30029		

# PF9010D

- DIGITAL COMBI STEAM OVEN 10 TRAYS 600X400 - GN 1/1

N	ITEM	DESCRIPTION (ENG)	N	ITEM	DESCRIPTION (ENG)
3	CER30020	CERNIERA INF. PORTA MARCOPOLO COLOMBO	55	CPR00001	PROTECTION FOR CHIMNEY
5	ELE30006	ELECTROVALVE 3 WAYS	58	TAP30008	***TAPPO JAC DA PANN.900 1101039 (JAC30002)
7	FRO30316	FRONTALINO DIGITALE MAGELLANO PF	59	TAP30013	PLASTIC CORNER
8	FUS30001	FUSE	60	TAP30019	CAP FOR WATER DISCHARGE
10	GRI30084	REGGITEGLIE DX UNIVERSALE 9010 INOX	61	PPC30001	CABLE GLAND M25x1,5 + NUT
10	GRI30085	REGGITEGLIE SX UNIVERSALE 9010 INOX	63	TAP30011	TAPPO DX PLAST.MONTANTE VERT.PORTA
11	GUA30015	GUARNIZIONE FORNO RIBASSATA UG0434	70	FWE00016	12_C_Serie-900_conLAVAGGIO_Motori_LGB
15	LAM00001	LAMP COMPLETE	72	SCH30006	MOTOR SPEED REGULATOR BOARD
16	MAG30045	HANDLE MAG30045	75	MOT30035	MOTOVENT. ASSIALE 120x120 ADDA AA1282HB-AT
17	MAN30015	KNOB	78	VAS30003	INNER GLASS WATER COLLECTOR
18	MOR30004	TERMINAL	79	TER30013	SECURITY THERMOSTAT
19	PFU30001	FUSE HOLDER	83	CER30004	PLASTIC HIGHER DOOR HINGE
20	MOT30036	MOTORE 200-230V 250W OLYMPIA	91	PUL30006	DOOR MICRO SWITCH
21	PIE30008	PIEDINO X304 D.52MM H35MM C/VIT M10X25	104	CPR00075	COPERCHIO USCITA VENTILATORE ASSIALE ZN
23	POR02058	COMPLETE DOOR OVEN 920 PIRON			
24	PRE00001	PROBE CONNECTOR			
25	PRG30013	REVERSE REGULATOR			
27	RES30009	HEATING ELEMENT 4500W			
28	SCH30003	CONTROL BOARD			
28	SCH30004	CORE PROBE PC BOARD			
31	SON30002	CHAMBER TEMPERATURE PROBE			
32	TAP30010	TAPPO INF.SX PLAST.MONTANTE VERT.PORTA			
32	TAP30012	TAPPO SUP.SX PLAST.MONTANTE VERT.PORTA			
33	TEL30010	TELERUTTORE GE 4P 25A CL01A400T6			
35	VAS30008	BOX FOR WATER CONDENSATION			
37	VEN30005	FAN			
38	VET02058	COMPLETE EXTERNAL GLASS 920 RAL9005			
39	VET00012	INTERNAL GLASS			
40	VIT30001	SCREW FOR LATERAL TRAY SUPPORT			
41	VIT30042	DEFLECTOR SCREW M5			
42	TAP30027	TAPPO PER LAVAGGIO			
43	VIT30059	PLASTIC SCREW FOR INTERNAL GLASS			
44	VIT30060	PLASTIC SCREW M5x15			
45	SCN00001	LOWER/REAR OF OVEN			
46	SCN00079	SCHIENA SUPERIORE PF9010-PF9010D			
47	FON30096	BOTTOM OVEN			
48	FIA30049	LEFT OVEN PANEL 920/922			
49	FIA30050	LEFT OVEN PANEL 920/922			
50	DEF30091	AIR DEFLECTOR			
51	CRU60197	CRUSCOTTO DIGITALE PF9010D CENTRATO			
52	FAC30028	TOP OVEN			
53	FAC30029	FRONT OVEN			