

BF-R051 BlastChiller ShockFreezer

TECHNICAL FEATURES:

- Made of AISI 304 stainless steel, exterior with scotch-brite finish
- Interior radiused, in AISI 304 polished finish
- High density polyurethane foam insulation (approx. 42 kg/m³) 60 mm thick (50 mm mod 3 pans), HCFC-free
- Shaped internal bottom for containment, with central drain for washing and defrosting water
- Door reversible in use with special kit (except 3 trays)
- Ergonomic handle and magnetic gaskets on the 4 sides of the door
- Heating element to ensure perfect adherence of the door gasket.
- Door lock at 110 ° for inserting levels

INTERNAL SETUP:

- Tray holder in AISI304 stainless steel, easily removable for cleaning
- Possibility to insert 5 GN1/1-EN1 levels, 67 mm pitch
- Microswitch that blocks the ventilation when the door is opened
- Conical core probe included

FUNCTIONS:

- Pre-cooling
- Blast Chilling SOFT and HARD
- Shock Freezing SOFT and HARD
- Time control or with core probe
- Automatic storage at the end of the cycle
- Manual defrosting

COOLING SYSTEM:

- Refrigerant gas R452A
- Standard air condensation
- Evaporator with anti-corrosion cataphoresis treatment, with multiple refrigerant gas injection points
- High thermal output condenser
- High performance hermetic compressor
- High pressure fans

CONTROL BOARD:

- Electronic membrane control, programmable
- Real-time alarms



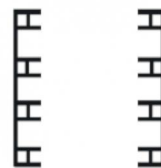
SETUP:



5 LEVELS



530x325 +
600x400



REMOVABLE
TRAYHOLDER
PITCH 67 mm

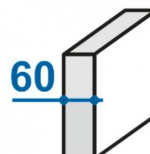


Electronic
membrane control

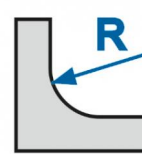
FEATURES:



STAINLESS STEEL
AISI304



THICKNESS 60 mm



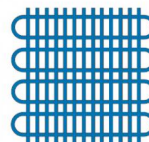
ROUNDED
CORNERS



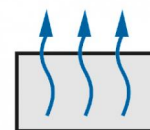
REMOVABLE
DOOR GASKET
WITHOUT
TOOLS



INDIRECT
AIRFLOW



EVAPORATOR
WITH
CATAPHORESIS
TREATMENT



DEFROSTING WITH
VENTILATION



CONICAL CORE
PROBE

PRIMAX Srl

Via Gemona, 14/16 - 33078 San Vito al Tagliamento (PN)
Tel: +39 0434 630779 Fax: +39 0434 630956
<https://www.primaxsrl.com> Email: info@primaxsrl.com

BF-R051 BlastChiller ShockFreezer

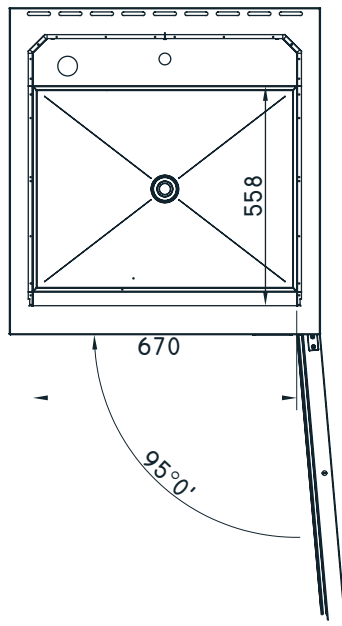
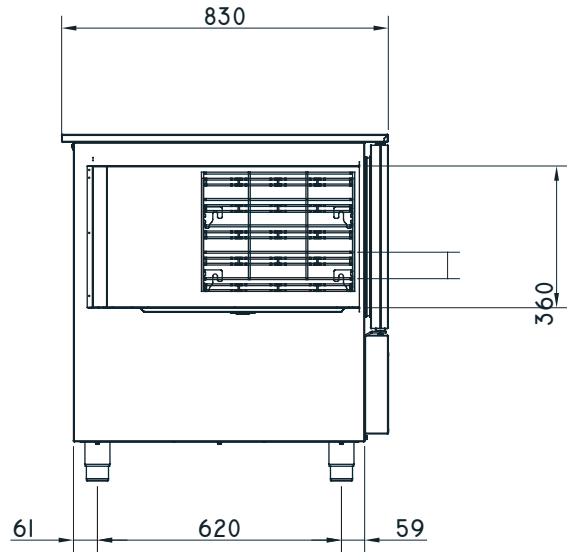
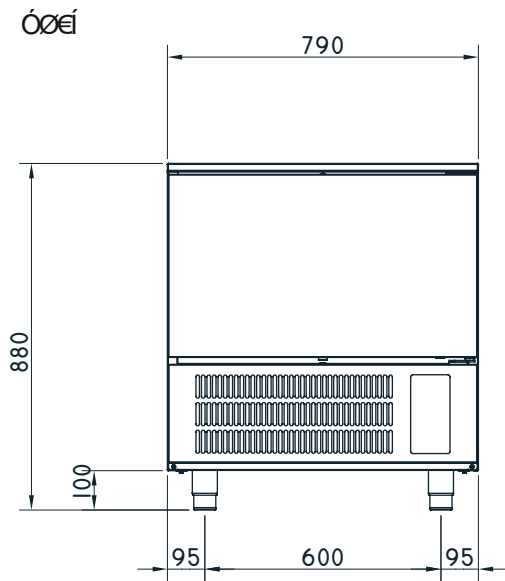
SCHEDA TECNICA	BF-R051
Automatic, by compressor stop mm	GN1/1-EN1
Total	5
Pitch mm	67
Trays insertion	CROSSWISE
Net dimensions (LxWxH) mm	790x720x860
Depth with 90° door mm	1450
Door opening (WxH) mm	670x360
Net internal depth mm	405
Internal volume l	98.892
Insulation thickness mm	60
Insulated floor thickness mm	60
Net weight kg	79
Packing	Pallet + carton
Packaging dimensions (WxDxH) mm	820x810x1020
Packing volume m3	0.68
Gross weight kg	91
Max power consumption KW	0.938
Max absorbed current A	4.49
Power supply V~/Hz	230/1/50
Electric cable n° x mm²	3x1,5mm²
Temperature range °C	-33/-36
Refrigeration system	Ventilated
Blast chilling yield +70°C-> +3°C within 90' kg/ciclo	12
Shock freezing yield +70°C->-18°C within 240' kg/ciclo	8
Refrigerant gas	R452A
Refrigerant gas quantity, water cooling g	600
Cooling power EN12900 W	506
Compressor hp	3/4
Defrosting	Forced ventilation
Climatic class	4

PRIMAX Srl

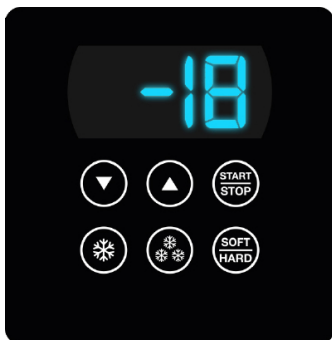
Via Gemona, 14/16 - 33078 San Vito al Tagliamento (PN)
Tel: +39 0434 630779 Fax: +39 0434 630956
<https://www.primaxsrl.com> Email: info@primaxsrl.com



BF-R051 BlastChiller ShockFreezer



DESCRIZIONE PANNELLO COMANDI CONTROL PANEL DESCRIPTION



	Abbattimento positivo <i>Blast chilling</i>
	Tasto surgelazione <i>Shock freezing</i>
	Hard o soft <i>Hard or soft</i>
	Start / stop - On / Off
	Tasto incremento <i>Increment key</i>
	Tasto decremento <i>Decrement</i>

Il costruttore declina ogni responsabilità a causa di errori e / o errori di stampa.